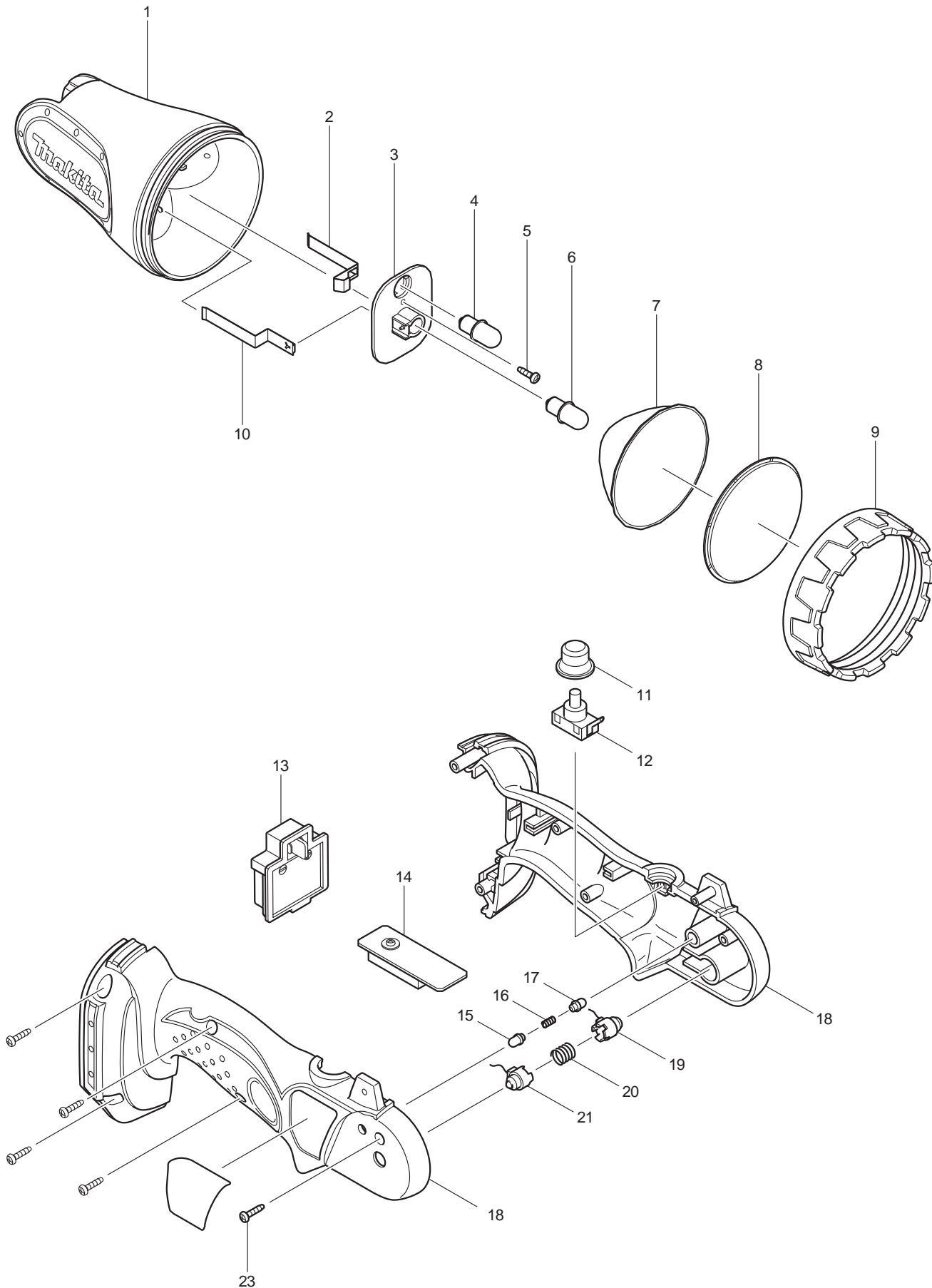




02 - 2010
BML145
14.4V FLASHLIGHT



Item No.	Type	Sub	Part No.	Description	Q'ty	Unit
1			GM00001003	CASE HEAD	1	PC.
2			GM00001010	BULB CONTACT PLATE (-)	1	PC.
3			GM00001002	PROTECTOR FOR CONTACT	1	PC.
4			A-90233	BULB SET, 2pcs/Set MA/MC/MMX	1	SET
5			GM00001012	SCREW 3X12 PB BLACK ZN	1	PC.
6			A-90233	BULB SET, 2pcs/Set MA/MC/MMX	1	SET
7			GM00000130	REFLECTOR	1	PC.
8			GM00000070	LENS	1	PC.
9			GM00001001	REFLECTOR RETAINER	1	PC.
10			GM00001009	BULB CONTACT PLATE (+)	1	PC.
11			GM00001006	RUBBER COVER	1	PC.
12			651709-3	SWITCH DPC-1111-02	1	PC.
13		1	GM00001007	BATTERY HOLDER	1	PC.
		2	643828-9	TERMINAL	1	PC.
14			GM00001011	PRINTED CIRCUIT BOARD	1	PC.
15			GM00001005	KNOCK SHAFT	1	PC.
16			GM00000090	COMPRESSION SPRING 4	1	PC.
17			GM00001005	KNOCK SHAFT	1	PC.
18		1	GM00001014	HOUSING SET	1	SET
		2	GM00001118	HOUSING SET	1	SET
19			632524-4	PIVOT TERMINAL UNIT R	1	PC.
20			233144-3	COMPRESSION SPRING 7	1	PC.
21			632523-6	PIVOT TERMINAL UNIT L	1	PC.
23			GM00001013	SCREW 3X14 PB BLACK ZN	6	PC.
25		2	GM00001119	LEAD ASSY (Added)	1	PC.

*Item No. 13, 18 and 25 are interchangeable as a set.